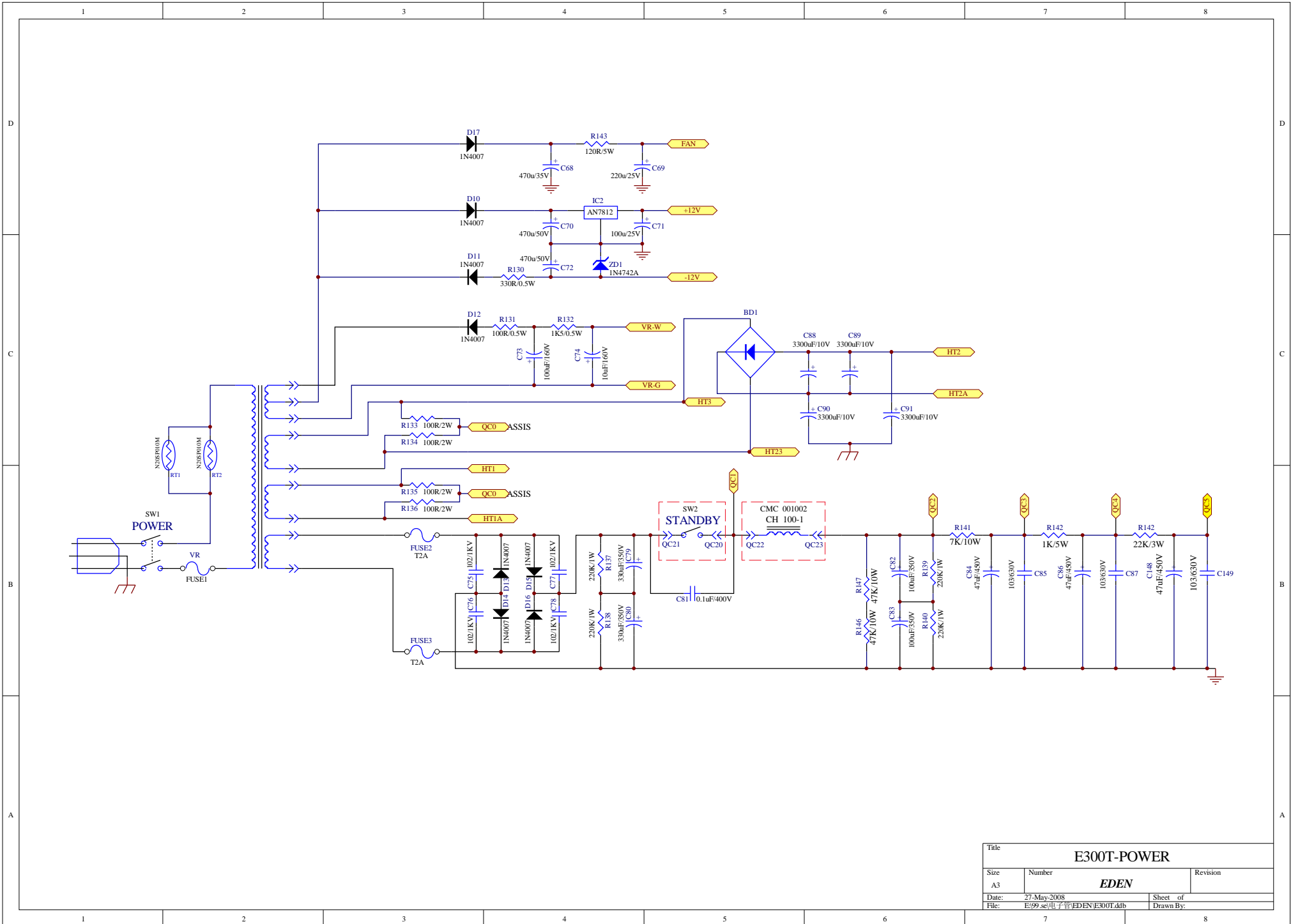


E300T		长裕电子有限公司 CHANGYUEELECTRONICS CO.,LTD	
日期	2008/05/27	绘图	Hezhihui
设计审核	Hezhihui	批准	
Title			
Size	Number		Revision
Date:	27-May-2008		Sheet of
File:	E:999.se\电子管\EDEN\E300T.dtb		Drawn By:



Title			E300T-POWER		
Size	Number	Revision			
A3		EDEN			
Date:	27-May-2008	Sheet of			
File:	E:\99.se\电子管\EDEN\E300T.dtb	Drawn By:			